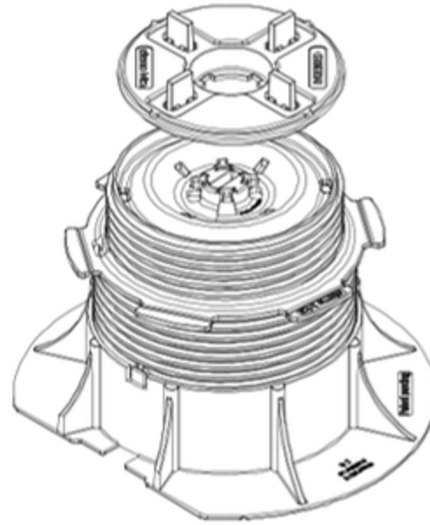
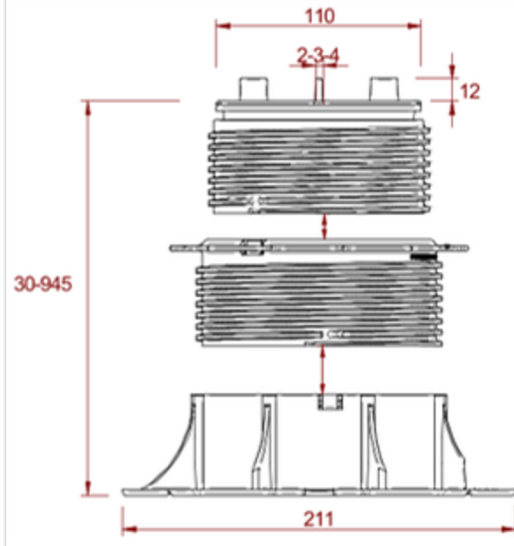


PORSETS 2 & 3 /2CM & 3CM: SELF-LEVELLING & TELESCOPIC PEDESTALS



TECHNICAL SPECIFICATION:

Supply and installation of supports for raised floors type Porsets Pedestal T adjustable in height, equipped with bi-material tilting self-levelling head, with anti-noise and anti-slip rubber finish. The supports are composed of 3 polypropylene elements consisting of: a specially shaped base with a diameter of 211 mm and a minimum width on the profiled side of 187.5 mm, a first screw having both external and internal threads; and a second screw which has a hemispherical zone in the upper part. All these elements are equipped with an anti-screwing safety lock. The height varies between 30 mm up to 945 mm. The head is equipped with N°4 spacer tabs with a thickness of either 2, 3, or 4 mm and a height of 12 mm easily removable if necessary. In the pre-cut base there are holes for the outflow of water and N°3 grooves to facilitate the cutting if needed. The height adjustment is carried out using the tailored adjustment key, which acts on the screw independently from both the head and the base. It is possible to increase the height of the supports by using the PPR extension.

CHARACTERISTICS:

- Double height adjustment
- Bi-component self levelling head (PP and rubber)
- Slope compensation from 0% to 5%
- Tailored key for height adjustment
- Easy removable tabs
- Anti-screwing safety lock
- Base designed for quick insertion of the vertical infill clip

RAW MATERIAL:

Polypropylene and rubber (head top finishing)

ENVIRONMENTAL IMPACT:

recyclable material - not dangerous

APPLICATIONS SURFACES:

- On any waterproofing membrane
- On any insulating hard panel
- On any compact and solid surface

APPLICATIONS AREA:

Can be used with any prefabricated self supporting element for outdoor flooring

GENERAL CHARACTERISTICS & PROPERTIES

	UNIT	VALUE	TOLERANCE +/-
BASE DIAMETER	mm	211	+/- 1.0
BASE THICKNESS	mm	5	+/- 0.2
HEAD DIAMETER	mm	110-130-150	+/- 0.8
SURFACE OF THE BASE	cmq	320	+/- 5
TABS THICKNESS	mm	2-3-4	+/- 0.2
TABS HEIGHT	mm	12	+/- 0.2
SHORE	Shore d	70	+/- 3
SLOPE CORRECTION	%	5	+/- 0-5
FIRE REACTION*	UNI-EN 13501-1:2009	CLASSE "E"	
LOW T(°C) REACTION	°C	-40	

*Tests made by Giordano S.p.A. Institute of Bellaria-Igea Marina (RN)-Italy

PORSETS 2 & 3 /2CM & 3CM: SELF-LEVELING & TELESCOPIC PEDESTALS
ITEMS CHARACTERISTICS & PROPERTIES

Porsets Pedestal: Style T-A	UNIT	VALUE	TOLERANCE	PACK/STORAGE	
min HEIGHT	mm	30	+/- 1,0	PIECES PER BOX	25
MAX HEIGHT	mm	65	+/- 1,5	BOXES PER PALLET	54
WEIGHT	kg	0.263	+/- 5 %	BOX DIMENSION	39.5x39.5x25cm
MAX CENTRAL COMPRESSION RESISTANCE**	kN	22.5	/	BOX WEIGHT	8.25kg
*The code refers to BASE + SCREW + INTEGRATED EXTENSION.				PALLET /PZ PER PALLET	80x120cm / 1350

Porsets Pedestal: Style T-B	UNIT	VALUE	TOLERANCE	PACK/STORAGE	
min HEIGHT	mm	65	+/- 1,0	PIECES PER BOX	25
MAX HEIGHT	mm	155	+/- 1,5	BOXES PER PALLET	30
WEIGHT	kg	0.465	+/- 5 %	BOX DIMENSION	39.5x39.5x46cm
MAX CENTRAL COMPRESSION RESISTANCE**	kN	23.5	/	BOX WEIGHT	13kg
*The code refers to BASE + SCREW + INTEGRATED EXTENSION.				PALLET /PZ PER PALLET	80x120cm / 750

Porsets Pedestal: Style T-C	UNIT	VALUE	TOLERANCE	PACK/STORAGE	
min HEIGHT	mm	155	+/- 1,0	PIECES PER BOX	12
MAX HEIGHT	mm	420	+/- 1,5	BOXES PER PALLET	28
WEIGHT	kg	0.920	+/- 5 %	BOX DIMENSION	39.5x39.5x47cm
MAX CENTRAL COMPRESSION RESISTANCE**	kN	20	/	BOX WEIGHT	11.52kg
*The code refers to BASE + SCREW + INTEGRATED EXTENSION.				PALLET /PZ PER PALLET	80x120cm / 336

GREAT HEIGHTS COMPOSITION

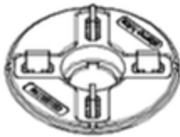
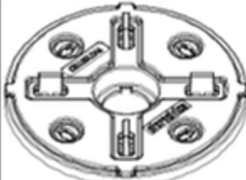



Porsets Style T-C + 1 EXTENSION	UNIT	VALUE	TOLERANCE
min HEIGHT	mm	310	+/- 1,0
MAX HEIGHT	mm	595	+/- 1,5
MAX CENTRAL COMPRESSION RESISTANCE**	kN	13.5	/

Porsets Style T-C + 2 EXTENSIONS	UNIT	VALUE	TOLERANCE
min HEIGHT	mm	410	+/- 1,0
MAX HEIGHT	mm	770	+/- 1,5
MAX CENTRAL COMPRESSION RESISTANCE**	kN	10.9	/

Porsets Style T-C + 3 EXTENSIONS	UNIT	VALUE	TOLERANCE
min HEIGHT	mm	515	+/- 1,0
MAX HEIGHT	mm	945	+/- 1,5
MAX CENTRAL COMPRESSION RESISTANCE**	kN	11.1	/

**Tests made by the ECAMRICERT S.R.L. Research and Analysis Laboratory (1 kN = 102 kg)

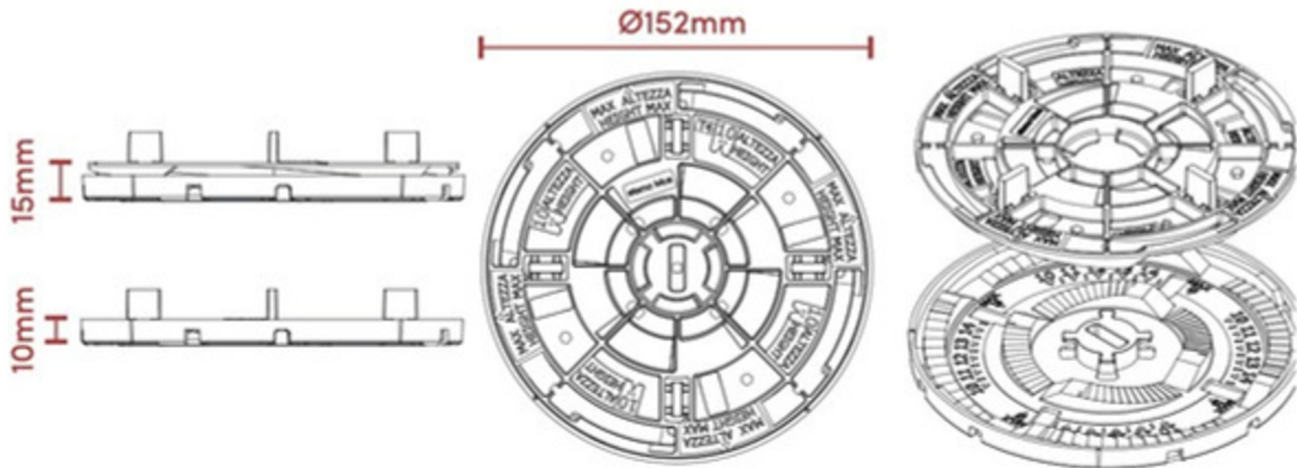
PORSETS 2 & 3 /2CM & 3CM: LOW HEIGHT PEDESTALS
HEADS COMPATIBILITY WITH PRIME SUPPORT

HEAD	CODE	DESCRIPTION	SIZE	PIECES PER BOX
	E035101204	Two-component self-leveling head	Ø110mm fin thickness 4mm, height 12mm	200
	E035201204	Self-leveling two-component XL head*	Ø150mm fin thickness 4mm, height 12mm	100
	E035102530	Self-leveling head for decking	Ø110 mm	100
	E035100010	Two-component self-leveling head for aluminium joist	Ø110 mm	200
	E035203001	Two-component self-leveling cross head for aluminum joist	Ø130 mm	150

*With XL head, height of all the PR range increases of 2-3 mm.

The packaging of the supports consists of cardboard boxes. The final packaging of the pallets is made with the wrapping of a polyethylene film. Indoor storage, protected from precipitation, is recommended.

PORSETS 2 & 3 /2CM & 3CM: LOW HEIGHT PEDESTALS



TECHNICAL SPECIFICATION

Supply and installation of supports for raised floors
Low Height Pedestals

The supports are composed of two polypropylene elements with a diameter of 152mm and with an adjustable height from 10mm up to 15mm, in the upper part there are N°4 spacer tabs with a thickness of either 2, 3, or 4mm and a height of 12mm.

In the base there are holes for the outflow of water. There are housings for various accessories and a hole for the adjustment key.

By using the special Porsets extension it is possible to reach a maximum height of 30mm.

CHARACTERISTICS:

Minimum height 8mm with only upper body used
Minimum height with also using the base 10mm
Height adjustable up to 15mm

Prepared for use with extensions having a height of 5mm

Holes for water drainage

Hole for inserting adjustment wrench

N°4 spacer flaps height 12mm thickness 2-3-4mm
fracturable and removable

RAW MATERIAL:

Polypropylene

ENVIRONMENTAL IMPACT:

recyclable material - not dangerous

APPLICATIONS SURFACES:

On any waterproofing membrane

On any insulating hard panel

On any compact and solid surface

APPLICATIONS AREA:

Can be used with any prefabricated self supporting element for outdoor flooring

GENERAL CHARACTERISTICS & PROPERTIES

	UNIT	VALUE	TOLERANCE +/-
BASE DIAMETER	mm	152	+/- 1.0
BASE THICKNESS	mm	2	+/- 0.2
SURFACE OF THE BASE	cmq	182	+/- 5
TABS THICKNESS	mm	2-3-4	+/- 0.2
TABS HEIGHT	mm	12	+/- 0.2
SHORE	Shore d	70	+/- 3

PORSETS 2 & 3 /2CM & 3CM: LOW HEIGHT PEDESTALS

ITEMS CHARACTERISTICS & PROPERTIES

LOW HEIGHT PEDESTALS	UNIT	VALUE	TOLERANCE	PACK/STORAGE	
min HEIGHT	mm	10	+/- 1,0	PIECES PER KIT	20
MAX HEIGHT	mm	15	+/- 1,0	PIECES PER BOX	100
WEIGHT	kg	0.091	+/- 5 %	BOXES PER PALLET	54
MAX CENTRAL COMPRESSION RESISTANCE*	kN	35.53	/	BOX DIMENSION	40x40x24cm
<p>The code refers to the model with 4 mm thick fins, 2 and 3 mm fins available on request</p> <p>*Tests made by Civil and Environmental Department of University of Padova. 1 kN = 102 kg</p>				BOX WEIGHT	9.4kg
				PALLET	80x120cm
				PCS PER PALLET	5400

The packaging of the supports consists of cardboard boxes. The final packaging of the pallets is made with the wrapping of a polyethylene film. Indoor storage, protected from precipitation, is recommended.

INSTALLATION METHOD: The product is laid dry, without the need for adhesives or other types of fixings.